

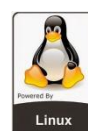
Nano N1021

Intel® Celeron® J4125 Quad Core processor



Features:

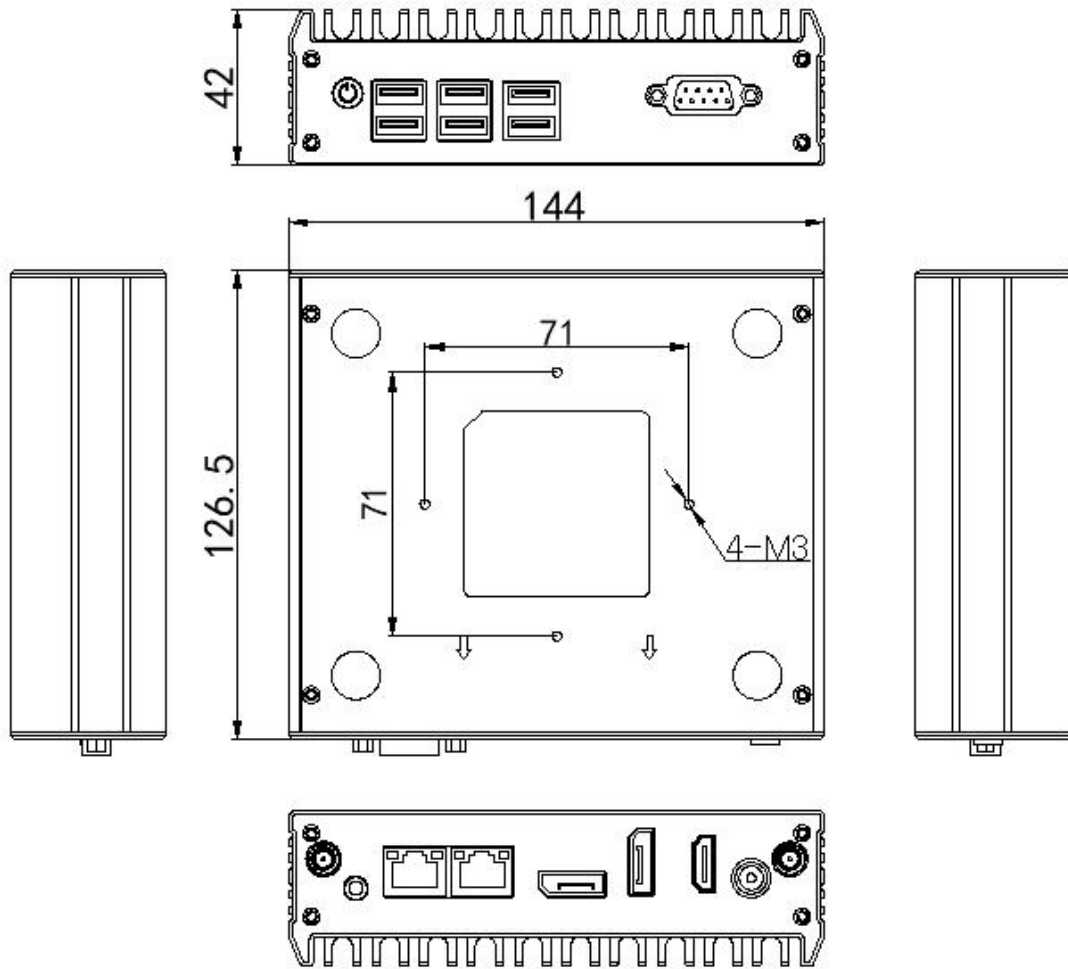
- ◇ All aluminum structure, fanless design;
- ◇ Onboard Intel Celeron J4125 Quad Core processor;
- ◇ Support 6*USB (4*USB3.0) ;
- ◇ Support 3*M.2 Slot (Support WIFI+4G at the same time) ;
- ◇ Support synchronous and asynchronous three display, Support 4K Full HD;
- ◇ Support desktop, rail, VESA wall-mounted and other fixing methods
- ◇ Support OS:



Specification

Model	Nano N1021
Color	Black (Color can be customized)
Material	High-quality all aluminum, surface anodic oxidation
Processor	Onboard Intel Celeron J4125 (Quad core quad threading, 4MB cache, 2.0GHz, Max turbo 2.7GHz)
CPU Architecture	Gemini Lake Refresh
RAM	Support 1*DDR4 2400MHz SODIMM RAM Slot, MAX 8GB
BIOS	AMI UEFI BIOS
Display Chip	Integrated Intel HD Graphics 600
Display Port	1*HDMI, 2*DP (Support synchronous and asynchronous three display, Max Resolution support 4096x2160 @ 60Hz)
Front I/O	1*Power Switch, 4*USB3.0, 2*USB2.0, 1*COM
Rear I/O	1*DC, 1*HDMI, 2*DP, 2*Intel 1000M LAN, 1*SIM Card Slot, 1*Audio (support audio and mic input)
Expansion Slot	Support 1*M.2 2280 M-key Slot (Support SATA) Support 1*M.2 2242 B-key Slot (Support4G) , Embedded SIM slot Support 1*M.2 2230 E-key Slot (Support WIFI、BT) Expansion function: TPM Pin (support TPM 1.2 / 2.0 security module), 1*COM
Network	2*10/100/1000M RTL8111H Ethernet Lan
Storage	1*M.2 2280 Slot, Onboard 1*2.5"HDD
Input Voltage	Support DC 12V Input
Other Function	Auto power on when there is electricity、Timing boot、Wake on LAN、PXE boot
Work Temp	0℃ ~ +50℃ (Commercial HDD) , -20℃ ~ +60℃ (Industrial SSD) , Surface air flow
Work Humidity	0% ~ 95% non-condensing
Certificates	CE、CCC、FCC Class A、ROHS
Dimension	144 * 126.5 * 42 mm
Net Weight	0.8 kg
Application	Industrial Automation, Medical, Logistics Transportation, Warehouse, Electronic Education, etc.

Nano N1021 Drawing



Accessories List

Name	Quantity	Specification
Power Adapter	1	Optional 12V 5A/ 12V 4A
Power Cord	1	Any Plug Optional (China, US, EU, UK etc.)
VESA Bracket	1	Standard

Order Information

Configuration 1	Nano N1021	Intel Celeron J4125	Standard Port
-----------------	------------	---------------------	---------------